

BPS Stair Podium

Instruction/Safety Manual Self Closing 1 Person Low Level Working Platform, 0.25m, 0.5m platform height.

Manufactured to ISO 9001:2015 Quality Control System

Maximum safety working load 150Kg

Always carry out a risk assessment for each task before you start work, to ensure this product is the correct mode of access for the task that is being undertaken.

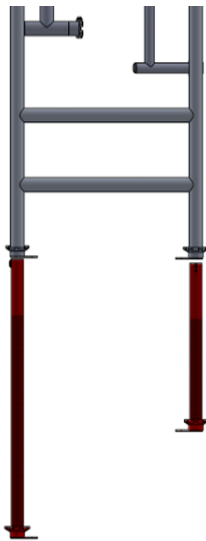
Component List:

- 1 x Main Frame
- 1 x Brace
- 1 x Platform
- 2 x Stabilisers
- 2 x Adjustable legs with Baseplates
- 2 x Adjustable legs with Baseplates (XL)

All replacements can be purchased directly from BPS Access Solutions



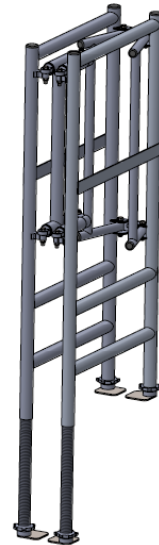
1. With Podium closed, Insert adjustable legs, ensure short legs go at the gate end of the podium.



2. While folded move to top of stairway.



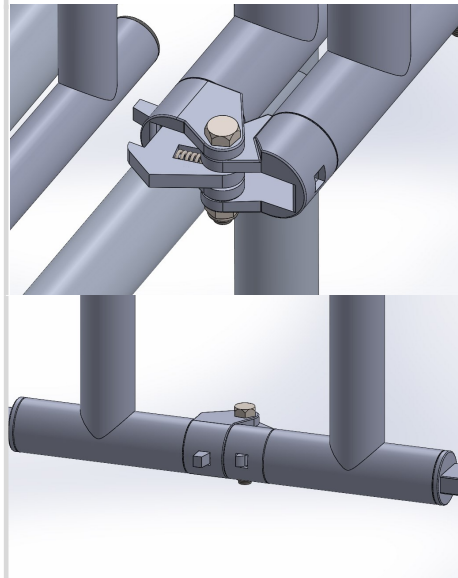
2. Extend longer legs appoximatly enough to allow for stair rises



4.a) Open out and approxamtly level the podium on the stairway using the adjustable legs.



4.b) Ensure the bottom locking elbow has engaged.



6. Attach horizontal brace to hold shape. Then double check level, using a spirit level.



6. Attach stabilisers to each side facing down the stairs. Ensure they are fitted tightly using the palm wheel and coupler



7. Climb through the unit, open the gate and retrieve the platform, position it on required level.



Safety Information:

The unit has been designed to provide a safer way of working on staircases. Never use the BPS Stair Podium until you have read the instructions fully and understood the following guide.

The BPS Stair Podium allows stable, safe access whilst working on a staircase. This unit ideal for 1 man use and rapid access.

Safety Checklist:

1. Make sure that the equipment is in good working order.
2. The total load (person and equipment) must not exceed 150KG.
3. Ensure all components are present and correctly fitted before use.
4. Check all stabilisers are fitted securely and planted firmly on step

GENERAL SAFETY RULES:

- Do not use if the product is damaged or has missing parts
- Do not use on unstable ground such as loose bricks, boxes or blocks
- Always check the unit is level before use
- Remove all materials before moving the unit
- Do not gain extra height by using boxes, ladders etc. on the platform
- Do not overload the unit
- Do not overreach out the unit
- Engage all stabilisers in their correct position before use on staircases
- Never climb the outside of the unit

BPS Access Solutions
 Unit 8 - Highams Hill Farm
 Sheepbarn Lane
 Warlingham
 Surrey
 CR6 9PQ
 0333 006 9776
sales@bpsaccesssolutions.co.uk
www.laddersandscaffoldtowers.co.uk

