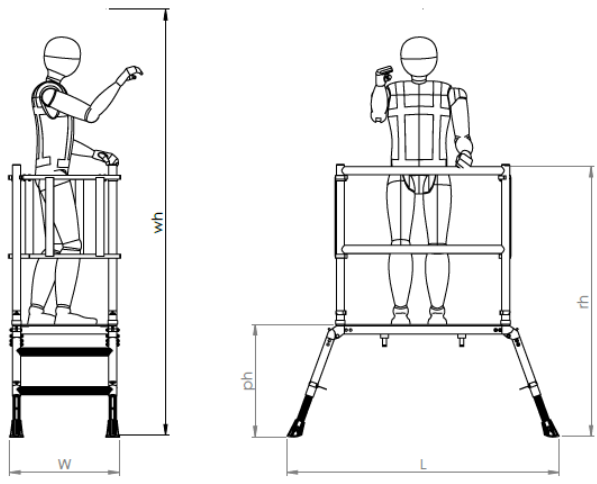
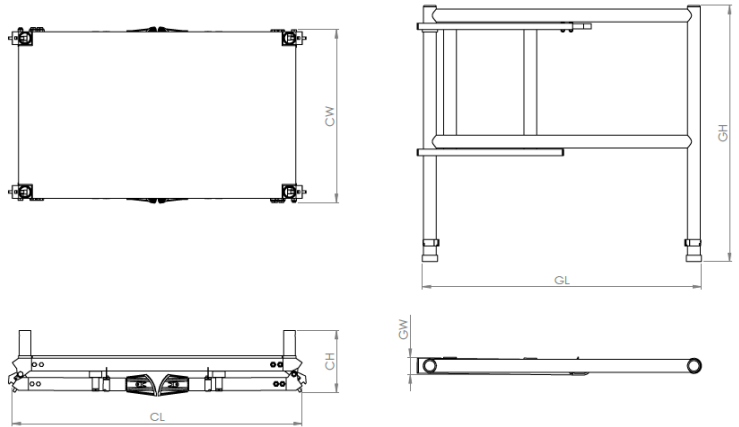


TRADE MASTER PRO[®] DECK

Industrial Deck Components

Item	Description	Quantity
1	Guard Frame	2
2	Deck	1
3	Instruction Manual	1



Technical information:

Open Max Base Dimensions:	(L)1.73m X (W)0.7m
Closed Max Base Dimensions:	(CL)1.20m X (CW)0.7m X (CH)0.25m
Closed Max Guard Dimensions:	(GL)1.10m X (GW)0.07m X (GH)1.02m
Deck Size:	1.1m X 0.66m
Platform Heights (ph):	0.55m 0.63m 0.7m
Rail Heights (rh):	1.55m 1.63m 1.7m
Working Heights (wh):	2.55m 2.63m 2.7m
Maximum Working Load:	200kg
Weight:	25kg

Contact Us

- 0333 006 9776
- sales@bpsaccessolutions.co.uk
- laddersandscaffoldtowers.co.uk

Phone Lines open 7 days a week

